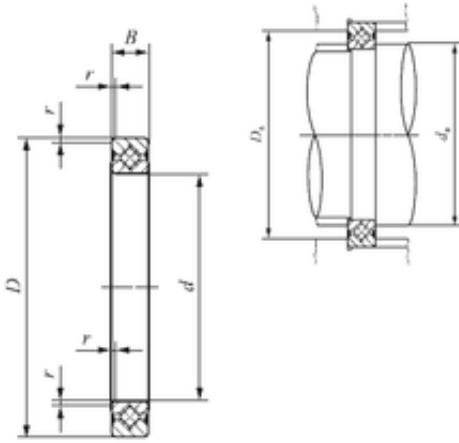




Shandong XuanYe Precision Machinery C...

140 mm x 156 mm x 8 mm IKO CRBS 1408 V
thrust roller bearings

Bearing No. CRBS 1408 V



CRBS 1408 V Bearing 2D drawings and 3D CAD models

Size	140x156x8 mm
Bore Diameter	140 mm
Outer Diameter	156 mm
Width	8 mm
d	140 mm
D	156 mm
B	8 mm
r min.	0.4 mm
Da	151 mm
da	144 mm
Weight	0,205 Kg
Basic dynamic load rating (C)	11,7 kN