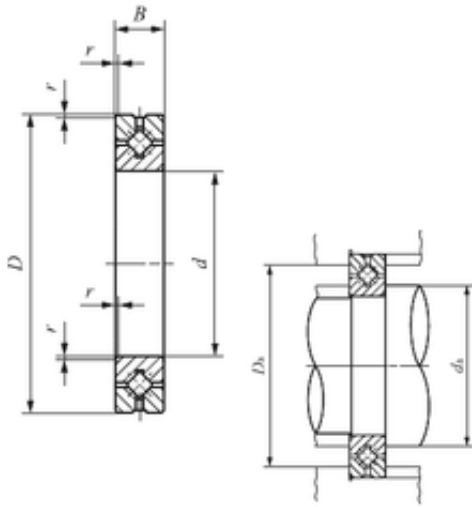




Shandong XuanYe Precision Machinery C...



120 mm x 180 mm x 25 mm IKO CRBH 12025
A thrust roller bearings

Bearing No. CRBH 12025 A

Size	120x180x25 mm
Bore Diameter	120 mm
Outer Diameter	180 mm
Width	25 mm
d	120 mm
D	180 mm
B	25 mm
r min.	1 mm
Da	168 mm
da	132 mm
Weight	2,62 Kg
Basic dynamic load rating (C)	73,4 kN

CRBH 12025 A Bearing 2D drawings and 3D CAD models